

## FONTO 5000/FONTO 5000.R

Floor socket outlet with screwable lid and water protection shroud  
(Levelling support available optionally)



FONTO 5000



FONTO 5000.R  
Square version on request



### Technical data

|                                      |   |
|--------------------------------------|---|
| FONTO 5000.R (l×w×h*):               | 156×156×95 mm                                 |
| FONTO 5000 (ø×h):                    | 156×95 mm                                     |
| Diameter:                            | 156 mm  |
| Mounting depth:                      | approx. 95 mm (standard version)              |
| – with levelling support:            | 100 mm  |
| – with threaded pin extension:       | 100* - 205 mm                                 |
| Material:                            | Aluminium, colourless anodised                |
| IP protection class:                 |   |
| – in closed mode:                    | IP67, suitable for cleaning with wet sweepers |
| – with fitted water protection pipe: | IP67, water hight max. 14 mm                  |
| Cover:                               | Screwable lid removable                       |
| Cover closure type:                  | Allen key                                     |
| Cable outlet:                        | yes   |
| Load capacity:                       |   |
| – in closed mode:                    | 40 kN   |
| Feed-in cable:                       | 4×M32   |
| Level-adjustable after installation: | no  |
| Levelling support:                   | yes (optionally)                              |

### Remarks / Features

- flush mounted floor socket with water protection shroud (if unused, embedded in the floor socket)
- for 2×insert 45×45×4 mm and 2×insert 22.5×45×4 mm (e.g. Schuko, RJ45, etc.)
- water protection pipe sunk into the floor box when not being used
- suitable for stand-on in plugged mode

### Assortment

**FONTO 5000** Floor socket outlet with screwable lid and water protection shroud, closed IP67, **anodised aluminium**, 156×156×95 mm

| Item no. | Description       | Equipment                   |
|----------|-------------------|-----------------------------|
| 840963   | <b>FONTO 5000</b> | without equipment           |
| ✓ 840986 | <b>FONTO 5000</b> | 2×T23,<br>2×blind           |
| 840987   | <b>FONTO 5000</b> | 2×T23,<br>1×RJ45<br>1×blind |
| 841027   | <b>FONTO 5000</b> | 2×T23,<br>2×RJ45            |
| 840989   | <b>FONTO 5000</b> | 2×Schuko,<br>2×blind        |
| 840990   | <b>FONTO 5000</b> | 2×Schuko,<br>2×RJ45         |

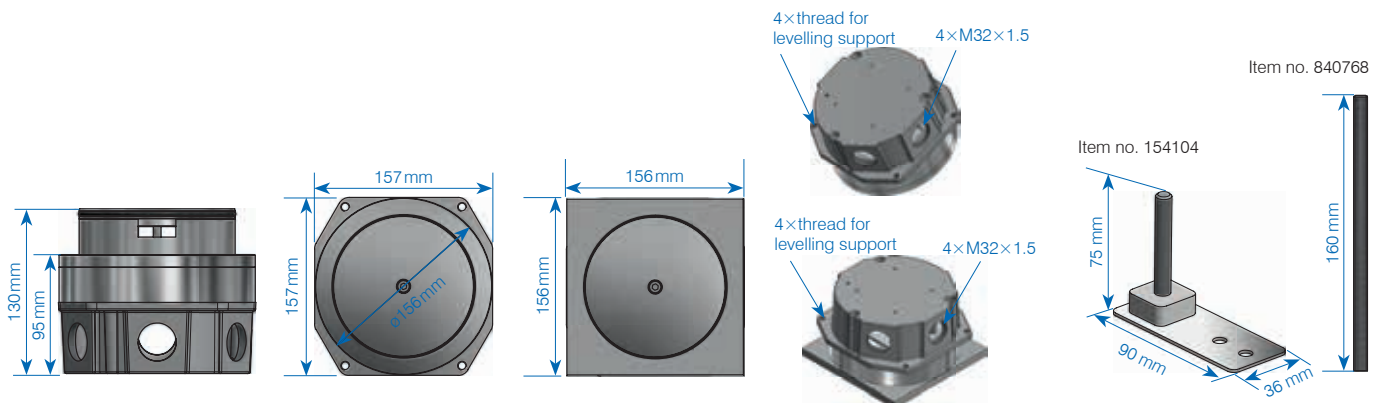
Other fitting options on request

### Accessories / spare parts

|          |   |
|----------|---|
| ✓ 154104 | <b>FONTO/MASSO Jackscrew levelling support:</b><br>1×baseplate and 1×threaded pin M8×60 |
| ✓ 840768 | <b>FONTO / MASSO Threaded pin extension M8×160 mm</b><br>zinc-plated                    |

Shorten threaded pin as required

FONTO/MASSO modules and accessories on page 20



Levelling feet are only used for setting the floor socket outlet. load capacity / stability is only obtained by backfilling the floor socket outlet with stable material (mortar, concrete...).

✓ Available from stock and in our online shop! [www.gifas.ch](http://www.gifas.ch)