

Satema AB
 TA-F 1250kVA
 22/11kV//420V
 SU23-X
 M. nr: Kiosk 1



DESIGNED BY:
 NH
 DRAWN BY:
 NH
 APPROVED BY:

Satema AB/Power & Heating
 TA-F 1250kVA
 M. NR. KIOSK 1
 22/11kV//420V
 FORSIDE

PROJECTNUMBER:
 ORDER NUMBER:
 SHEET: 1 / 11
 N.SHEET: 2
 REV:
 DATE: 4/12-23

SU23-X

REV.	DESCRIPTION	SIGN.	DATE
A			

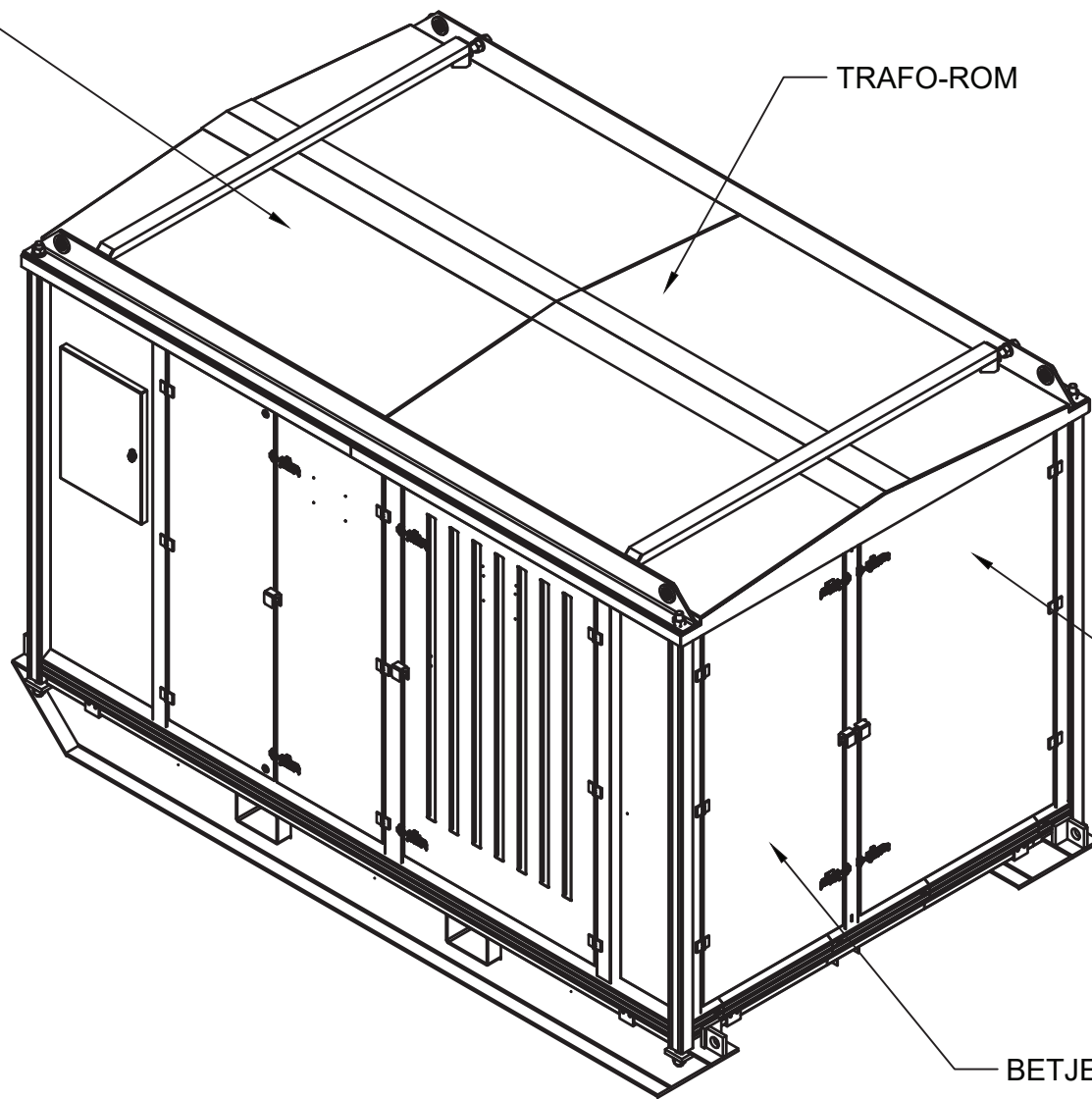
0 1 2 3 4 5 6 7 8 9

A
B
C
D
E
F

HS-ANLEGG

TRAFOROM

MÅL
H= 2697
B=2441
D= 4166



UTG 420V

BETJENINGSROM

REV.	DESCRIPTION	SIGN.	DATE
A			

SATEMA
PROFESJONELL STRØMFORSYNING

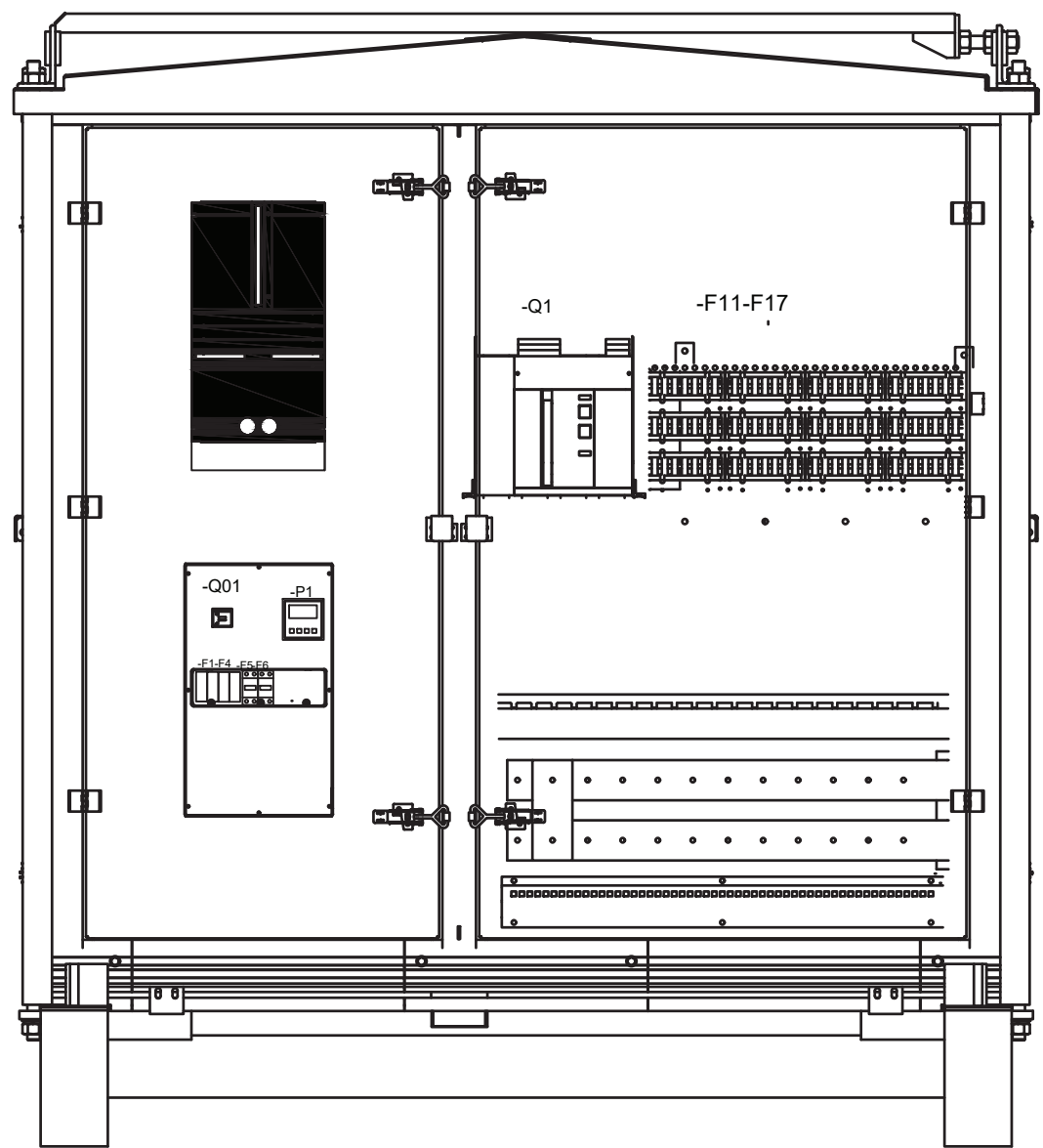
www.satema.no Tlf: 62 33 44 30

DESIGNED BY: NH
DRAWN BY: NH
APPROVED BY:

Satema AB/Power & Heating
TA-F 1250kVA
M. NR. KIOSK 1
22/11kV//420V
KIOSKHUS

PROJECTNUMBER:	SHEET: 2 / 11
ORDER NUMBER:	N.SHEET: 3
SU23-X	REV:
	DATE: 4/12-23

0 1 2 3 4 5 6 7 8 9



REV.	DESCRIPTION	SIGN.	DATE
A			

SATEMA
 PROFESJONELL STRØMFORSYNING
www.satema.no Tlf: 62 33 44 30

DESIGNED BY: NH
 DRAWN BY: NH
 APPROVED BY: NH

Satema AB/Power & Heating
 TA-F 1250kVA
 M. NR. KIOSK 1
 22/11kV//420V
 ARRANGEMENT

PROJECTNUMBER:	SHEET: 4 / 11
ORDER NUMBER:	N.SHEET: 5
SU23-X	REV:
	DATE: 4/12-23